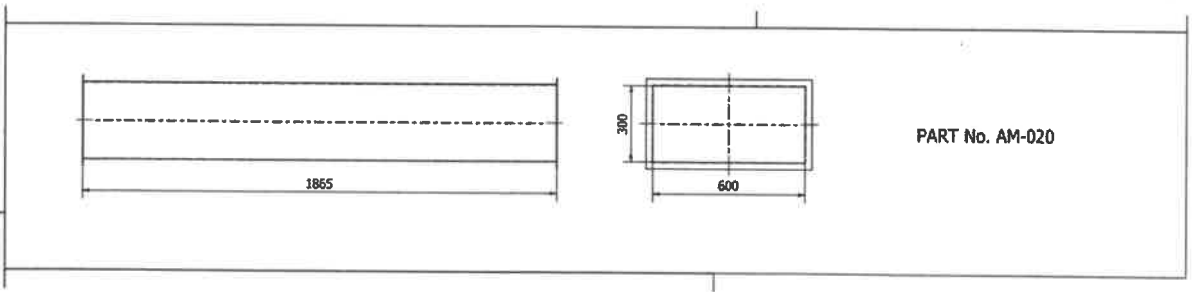
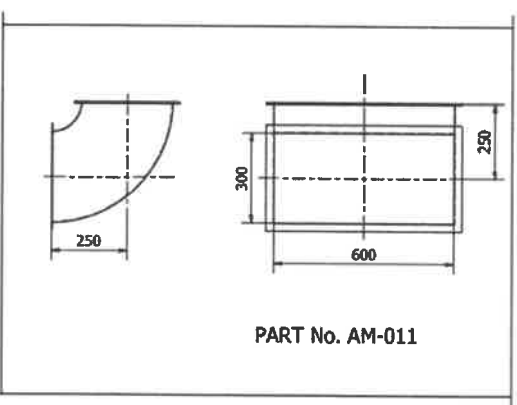
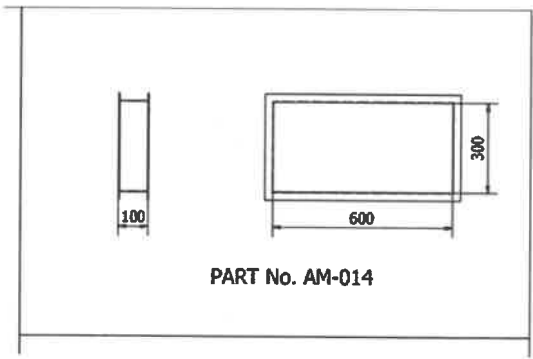
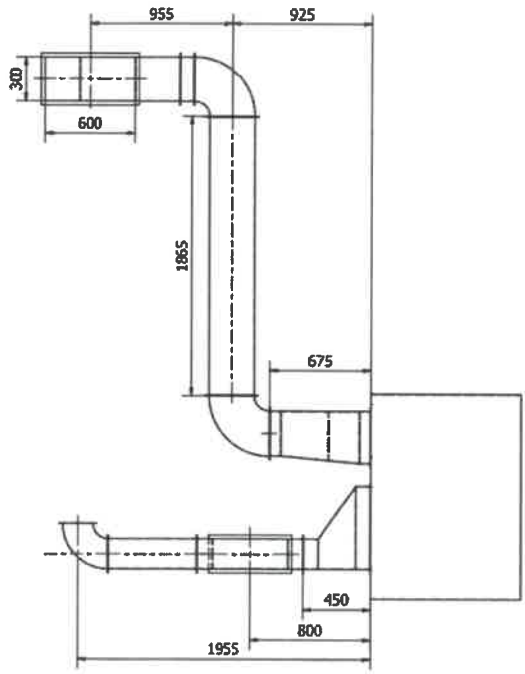
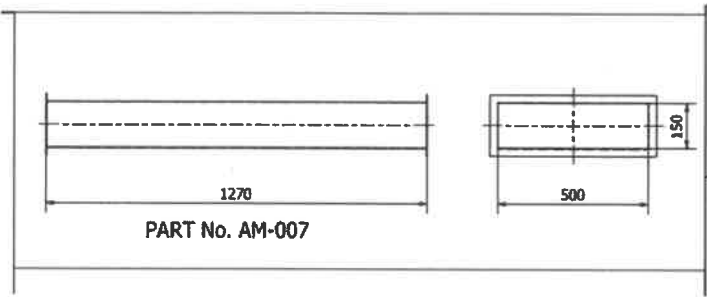


ISSUED FOR MANUFACTURE
 Signed By _____
 Date _____/2019



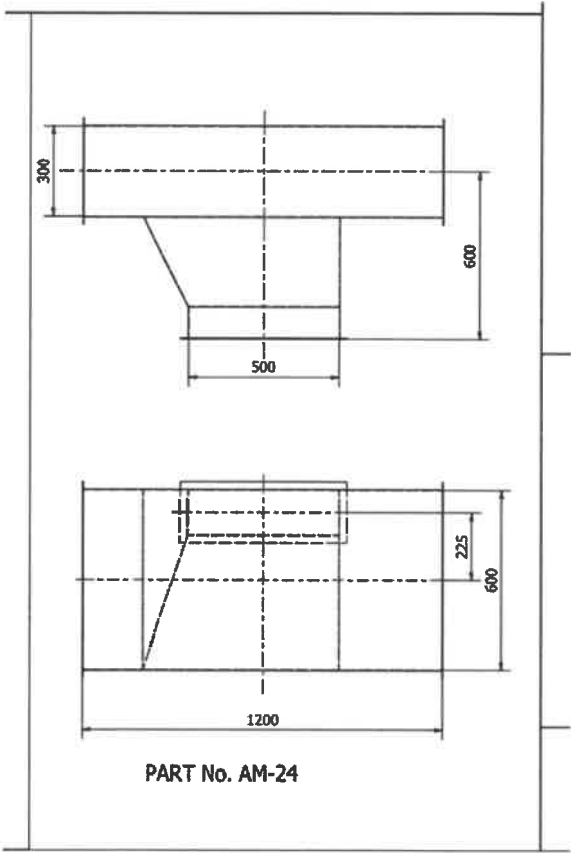


SIDE VIEW

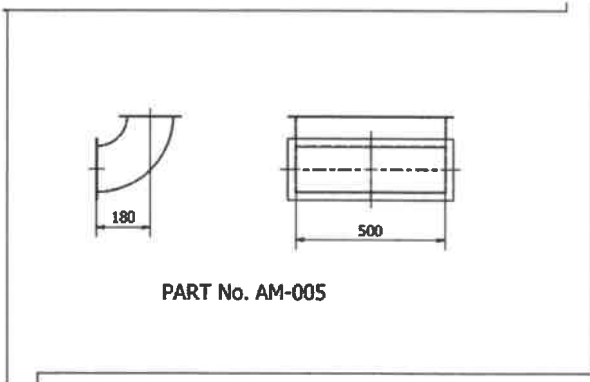


PART No. AM-007

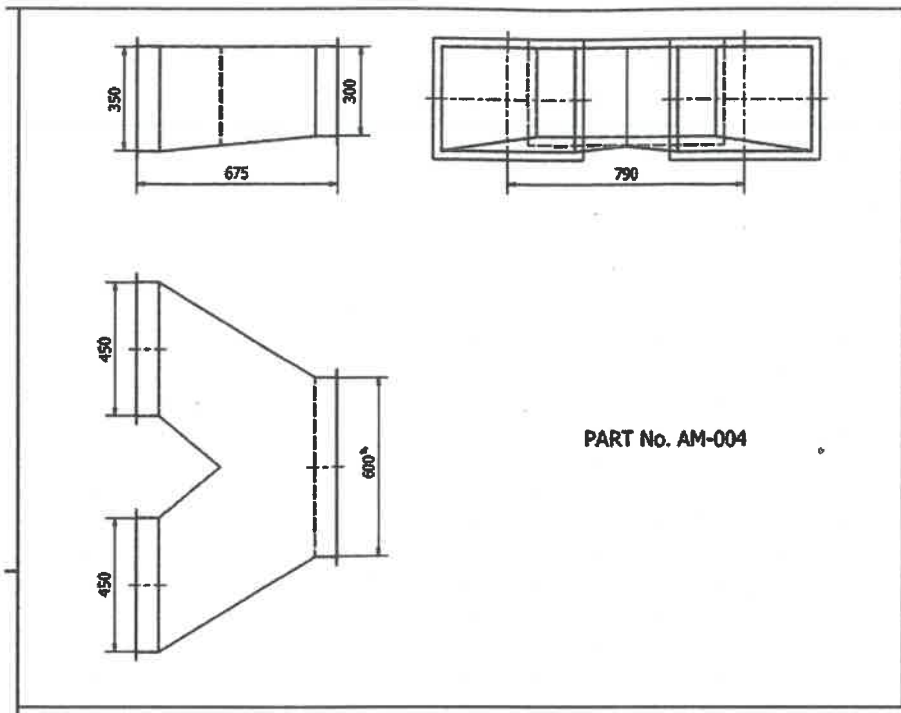
X4



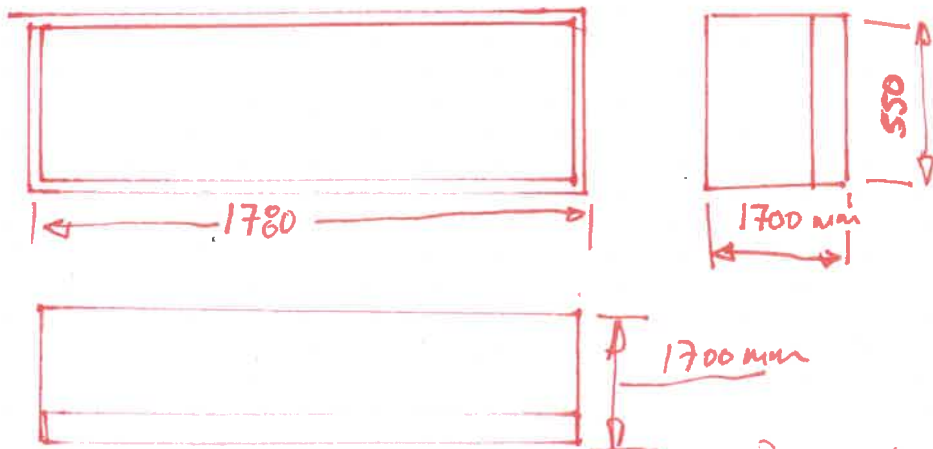
X2



X2



X1



PART No. AM-021.